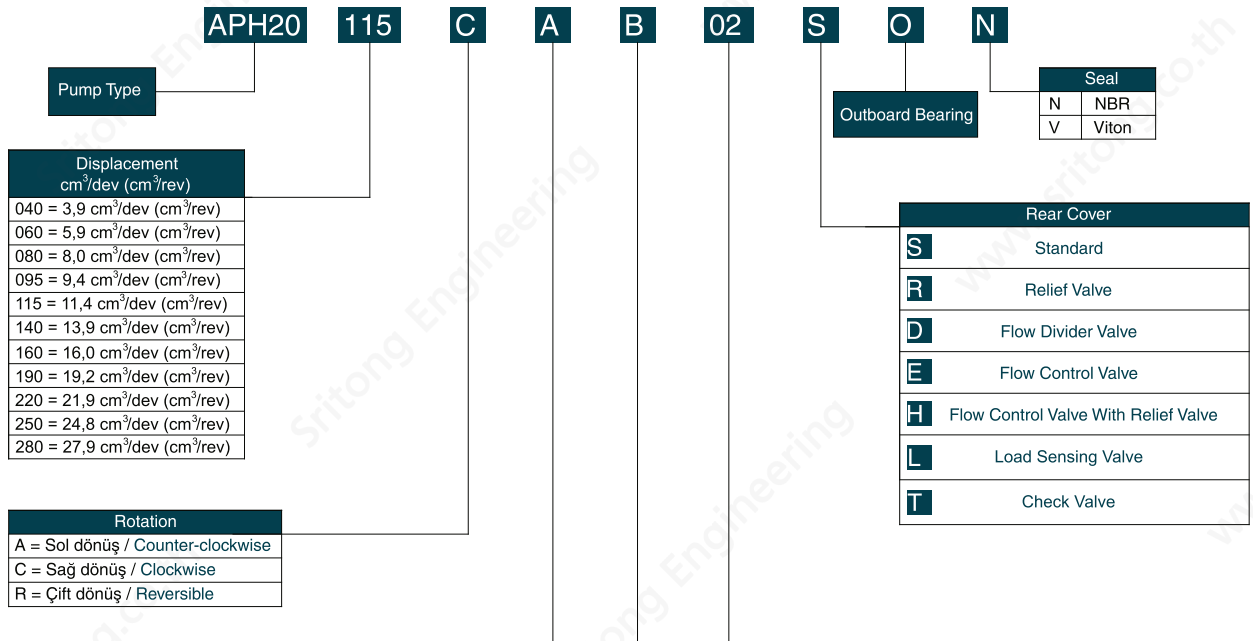


ORDERING CODE OF APH20 PUMPS



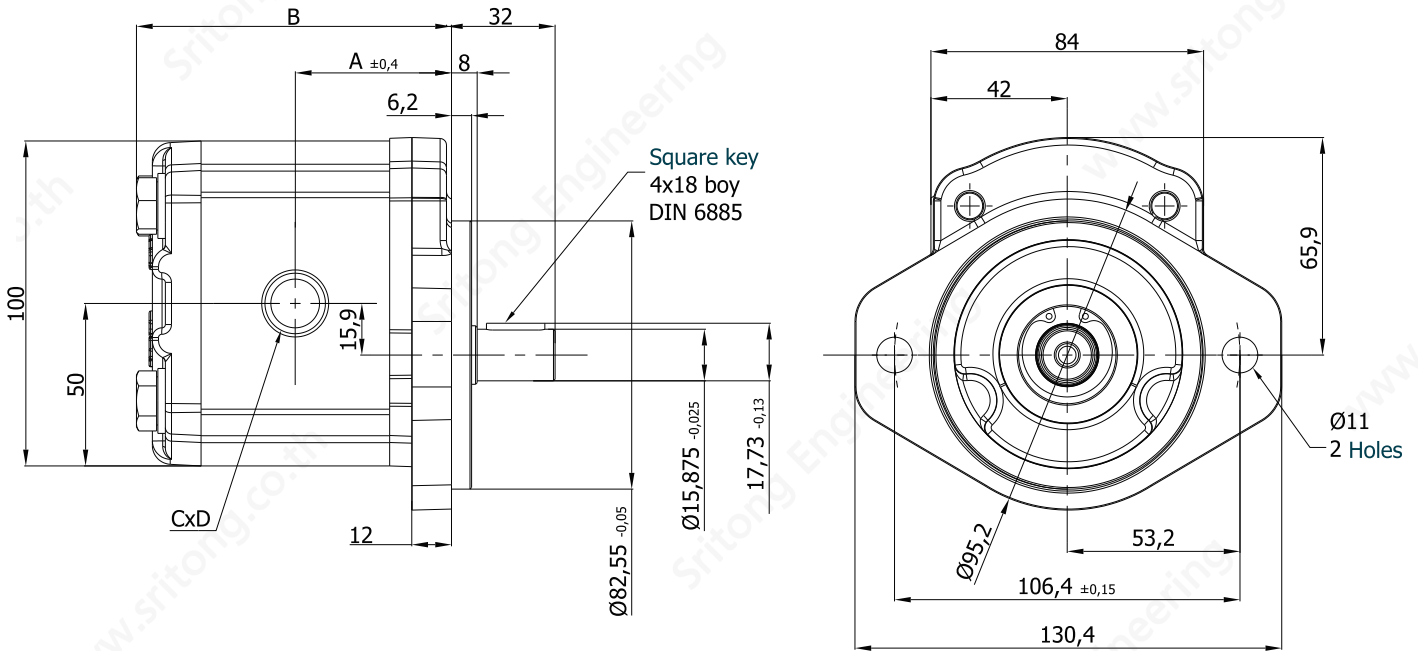
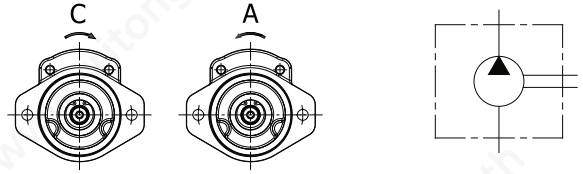
Front Cover		
A	Square flange	Ø36,47 mm
B	2 Bolts - Centering	Ø50 mm
C	2 Bolts - Centering with oring	Ø52 mm
D	2 Bolts SAE 'A'	Ø82,55 mm
E	2 Bolts - Centering	Ø50 mm
G	Square flange	Ø80 mm
H	Outboard bearing	Ø80 mm
K	2 Bolts SAE 'B'	Ø101,6 mm
M	2 Bolts - Centering	Ø52,34 mm
N	4 Bolts - Centering O-ring	Ø32 mm

Drive Shaft		
A	Tapered key shaft	1:5
B	Tapered key shaft	1:8
C	SAE spline shaft 9T	
E	Tang drive shaft	
F	SAE spline shaft 11T	
G	Spline shaft (B17x14)	
H	Parallel shaft	
K	Tapered key shaft	1:5
L	Tapered key shaft	1:5
M	SAE spline shaft 16/32 DP 10T	
N	Tapered key shaft	1:8
T	Tang drive shaft	

Inlet and Outlet Ports		
01		Rectangular
02		Diamond
03		ISO 6149 oring boss
04		UNF thread
05		Pipe thread
06		SAE Square Flange Thread Metric

D Front Cover

H Shaft Type



Pump Type	Displacement cm ³ /dev(cm ³ /rev)	Max. Pressure (bar)	Max. Speed d/d (rpm)	A	B	Inlet		Outlet				
						C	D	c	d			
APH20.040.ADH04SN	3,9	250	3500	42,2	85,3	7/8-14 UNF	16					
APH20.040.CDH04SN												
APH20.060.ADH04SN	5,9											
APH20.060.CDH04SN												
APH20.080.ADH04SN	8,0											
APH20.080.CDH04SN												
APH20.095.ADH04SN	9,4											
APH20.095.CDH04SN												
APH20.115.ADH04SN	11,4			3000	48,2	97,0	1 1/16-12 UNF			19	7/8-14 UNF	16
APH20.115.CDH04SN												
APH20.140.ADH04SN	13,9											
APH20.140.CDH04SN												
APH20.160.ADH04SN	16,0											
APH20.160.CDH04SN												
APH20.190.ADH04SN	19,2											
APH20.190.CDH04SN												
APH20.220.ADH04SN	21,9	210	2500	62,3	125,5							
APH20.220.CDH04SN												
APH20.250.ADH04SN	24,8	190										
APH20.250.CDH04SN												
APH20.280.ADH04SN	27,9	170	2200	67,0	134,9							
APH20.280.CDH04SN												