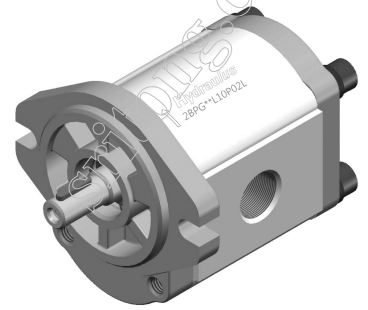


# Hydraulus

## Hydraulic Gear Pump 2BPG

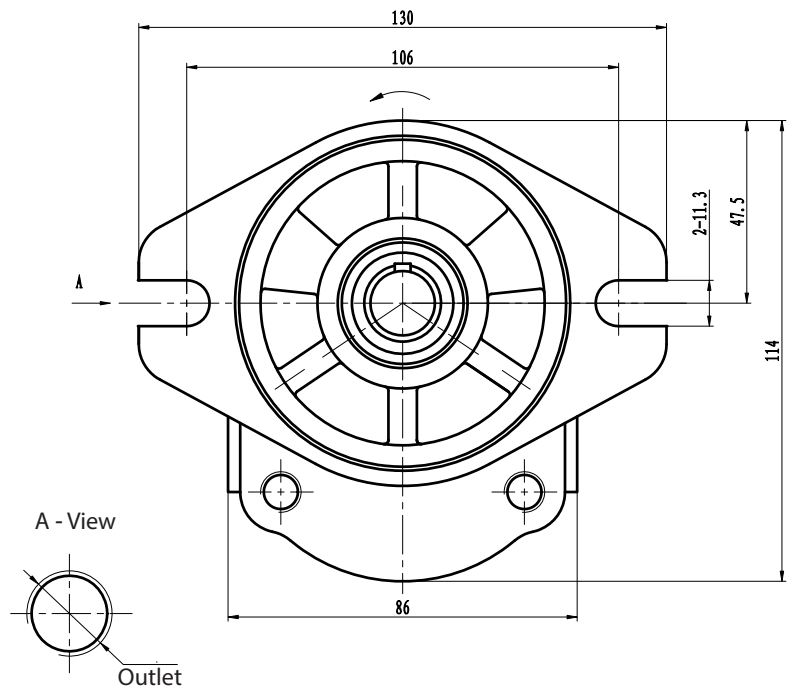
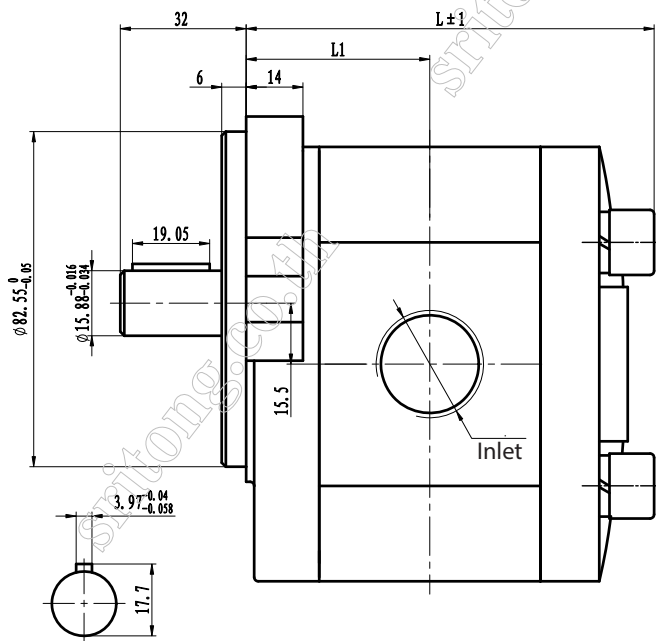
- 2BPG is high pressure gear pump with an aluminum end caps and housing.
- Standard mounting flange is SAE A-2 bolt.
- Standard ports are  
PT 1/2" inlet and outlet for Displacement 6-8 cc/rev.  
PT 3/4" inlet and PT 1/2" outlet for Displacement 10-16 cc/rev.
- Standard drive shaft is SAE-A, 5/8" straight shaft with 5/32 key.
- Available options include SAE-A, 9 teeth spline shaft and others.



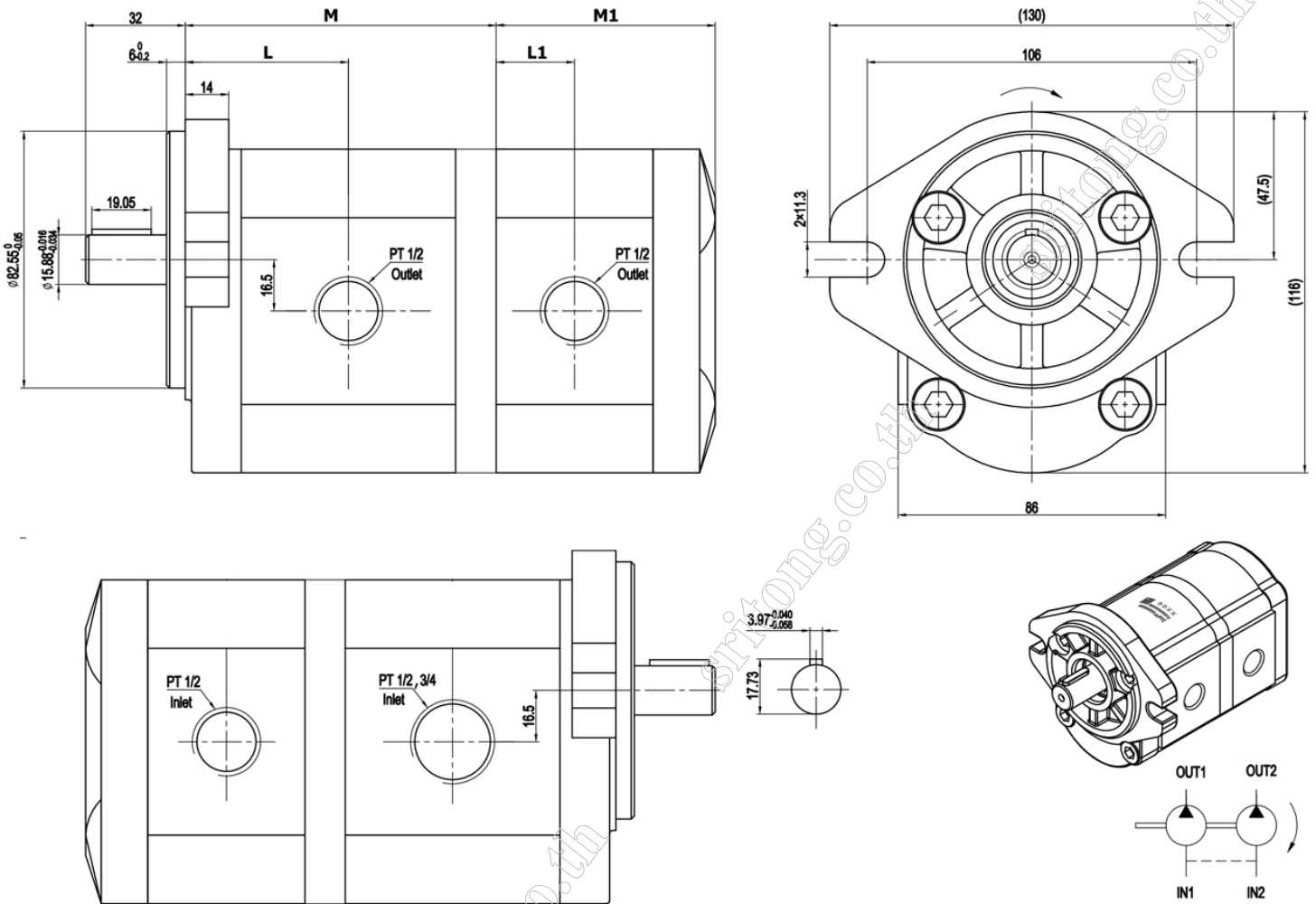
## TECHNICAL SPECIFICATIONS AND DIMENSIONS

- Filtration: 25 micron or better
- Oil Viscosity: 6 to 200 cSt
- Inlet Pressure: 0.7 - 3.0 bar (10 to 44 psi) absolute
- Temperature: Oil: -25°C to 80°C / -12°F to 175°F Ambient: -22°C to 55°C / -8°F to 130°F

Model	Displacement (cc/rev)	Pressure (bar)		Speed (rpm)			L (mm)	L1 (mm)	Inlet	Outlet
		Rated	Peak	Rated	Max	Min				
2BPG06L09P02R/L	6	250	280	2000	3000	500	101.0	44.3	PT 1/2"	PT 1/2"
2BPG08L09P02R/L	8						104.0	45.8		
2BPG10L10P02R/L	10						107.5	47.3		
2BPG12L10P02R/L	12						111.0	48.6		
2BPG14L10P02R/L	14						114.0	50.3		
2BPG16L10P02R/L	16						117.5	51.8		
2BPG18L10P02R/L	18						120.5	53.6		
2BPG20L10P02R/L	20	200	250	2000	3000	500	123.5	55.3	PT 3/4"	PT 1/2"
2BPG23L10P02R/L	23						126.5	58.0		
2BPG25L10P02R/L	25						131.5	60.0		
2BPG28L10P02R/L	28						136.5	63.0		
2BPG30L10P02R/L	30	160	200	2000	3000	500	139.5	64.0		



# Double Pump 2BDPG \*\*/\*\* LDL19P02R-TS



Front Pump Displacement (cc/rev)	L (mm)	M (mm)	Inlet	Outlet
6	44.3	85.1	PT 1/2"	PT 1/2"
8	45.8	88.1		
10	47.3	91.6		
12	48.6	95.1		
14	50.3	98.1		
16	51.8	101.6		
18	53.6	104.6	PT 3/4"	PT 1/2"
20	55.3	107.6		
23	58.0	110.6		
25	60.0	115.6		
28	63.0	120.6		
30	64.0	123.6		

Rear Pump Displacement (cc/rev)	L1 (mm)	M1 (mm)	Inlet	Outlet
6	27.0	70.8	PT 1/2"	PT 1/2"
8	28.5	73.8		
10	30.0	76.8		
12	31.3	79.3		
14	33.0	82.8		
16	34.5	85.8		
18	36.3	89.3	PT 3/4"	PT 1/2"
20	38.0	92.8		
23	40.7	98.2		
25	42.7	102.2		
28	45.7	108.2		
30	46.7	110.2		