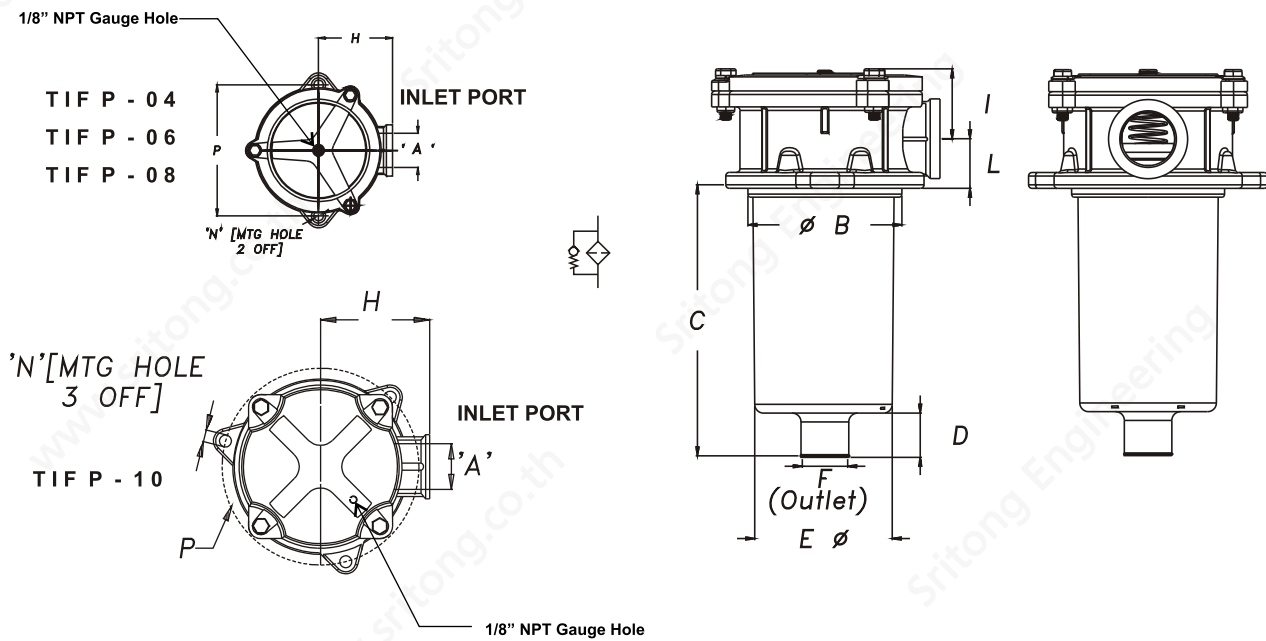


# FILTER - TANK IMMERSED - TIFP



- DIRECT TANK MOUNTING
- PRESSURE - MAX. 7 BAR / TEST 12 BAR / BURST 16 BAR
- ALUMINIUM DIECAST BODY HOUSING / POLYAMIDE G.F. BOWL
- 5 - SIZES FLOWS TO 175 LPM
- BY PASS STANDARD 1 BAR
- ELEMENTS REPLACEBLE THROUGH COVER
- SUITABLE FOR MINERAL / PETROLEUM BASED OILS
- MAX. TEMP 80°C



MODEL	PORT 'A' BSPP	B	C	D	E	PORT 'F' Dia	H	I	L	NΦ	P	WT KGS
TIFP - 04	1 / 2"	68	89	15	58	19	53	27	24	7.0	90	0.50
TIFP- 06	3 / 4"	87	104	25	78	22	65	36	28	8.5	115	0.90
TIFP - 08	1"	87	153	25	78	22	65	36	28	8.5	115	1.05
TIFP - 08-XL	1"	87	221	25	78	22	65	36	28	8.5	115	1.35
TIFP- 10	1 - 1 / 4"	129	278	40	110	39	97	47	37	10.5	175	2.70

DIMENSIONS IN MM FOR REFERENCE ONLY

# FILTER - TANK IMMERSED - TIFP



## MODEL CODE : ASSEMBLY

TIF P	- 04 *	- Element	- Feature	- Feature
Series	PORT THREAD	- Filtration Micron	- # Omit If Standard	- SPECIAL
P - Cast Body Plastic Bowl	04 B - 1/2" BSPP	P10 - 10 $\mu$ NOM	R3 - 15 PSI BYPASS STANDARD	
	04 N - 1/2" NPT	P25 - 25 $\mu$ NOM		
	08 S - 3/4" UNF - 16	A10 - 10 $\mu$ ABS		
	06 B - 3/4" BSPP	A25 - 25 $\mu$ ABS		
	06 N - 3/4" NPT	M149 - 149 $\mu$ MESH		
	12 S - 1-1/16" UNF - 12	M100 - 100 $\mu$ MESH		
	08 B - 1" BSPP	M074 - 074 $\mu$ MESH	R4 - 25 PSI BYPASS OPTIONAL	XL
	08 N - 1" NPT	M063 - 063 $\mu$ MESH		
	16 S - 1-5/16" UNF - 12			
	10 B - 1-1/4" BSPP			
	10 N - 1-1/4" NPT			
	20 S - 1- 5/8" UNF - 12			

INDICATOR : OPTIONAL ( TO BE ORDERED SEPERATELY )

# OPTIONAL / SPECIAL FEATURE - OMIT IF NOT REQUIRED

GR VISUAL RETURN ER ELEC. RETURN

Consult Factory For Tapped Holes For Cover Bolts

Element : P10 / P25 Was 010 / 025

## MODEL CODE : ELEMENT

## MODEL CODE : SEAL KIT

TIE	- 08	- 010	- Feature	- Feature		
SERIES	SIZE	FILTRATION $\mu$ MICRON	- # Omit If Standard	- SPECIAL		
TIE	04	P10 - 10 $\mu$ NOM	R3 - 15 PSI BYPASS STANDARD			
		P25 - 25 $\mu$ NOM				
	06	A10 - 10 $\mu$ ABS				
		A25 - 25 $\mu$ ABS				
	08	M149 - 149 $\mu$ MESH			R4 - 25 PSI BYPASS OPTIONAL	XL
		M100 - 100 $\mu$ MESH				
	10	M074 - 074 $\mu$ MESH				
		M063 - 063 $\mu$ MESH				

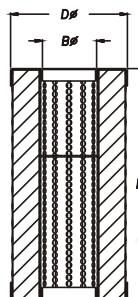
TIFP	- 08	-SK
SERIES	SIZE	SEAL KIT
TIFP	04	SK
	06	SK
	08	SK
	10	SK

WITH BYPASS

# OPTIONAL / SPECIAL FEATURE - OMIT IF NOT REQUIRED

## Element Details

SIZE	D $\phi$	B $\phi$	H	Area SqCm		
				P-10/25	A-10/25	M - ***
TIE - 04	52	25.5	72	710	500	325
TIE - 06	66	30.5	85	1225	875	425
TIE - 08	66	30.5	130	2450	1750	665
TIE - 08XL	66	30.5	215	4000	2900	1100
TIEP - 10	90	40.5	245	5600	4000	2200



M \*\*\* All Mesh Elements

CONSULT FACTORY FOR ANY OTHER REQUIREMENT