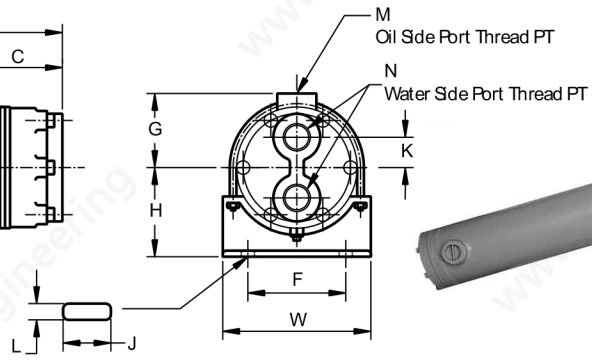
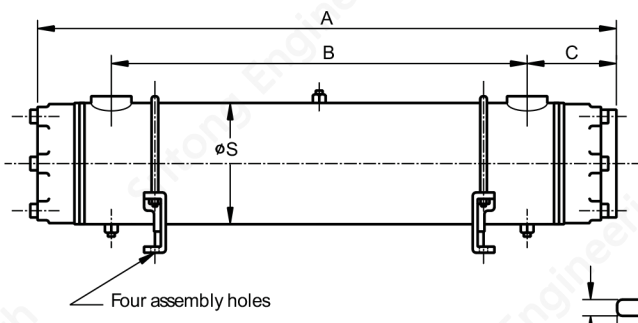
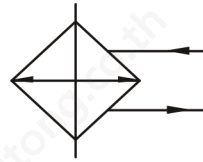


DIMENSIONS

MILLIMETERS



HT Series No Fin Type Oil Cooler
TJ Series Fin Type Oil Cooler



Series	A	B	C	F	J	G	H	K	L	M	N	S	W	Heat Transfer Area (m ²)		Flow (l/min)	Weight (kg)
														No Fin	Fin		
HT/TJ-0905	590	408	88	80	25	63	80	22	10	3/4	3/4	89.5	115	0.24	0.41	60	10
HT/TJ-0908	880	720	78	80	25	63	80	22	10	3/4	3/4	89.5	115	0.39	0.70	100	14
HT/TJ-1405	600	398	100	140	32	90	110	28	12	1 1/4	1 1/4	140.8	176	0.54	1.10	150	20
HT/TJ-1408	890	710	85	140	32	90	110	28	12	1 1/4	1 1/4	140.8	176	0.84	1.90	250	26
HT/TJ-1412	1310	1110	100	140	32	90	110	28	12	1 1/2	1 1/4	140.8	176	1.28	2.90	350	35
HT/TJ-1712	1335	1060	138	145	32	115	125	32	12	2	1 1/4	166.5	200	2.17	4.60	600	50
HT/TJ-1716	1745	1510	118	145	32	115	125	32	12	2	1 1/4	166.5	200	2.89	6.50	840	60
HT/TJ-1722	2200	1850	160	145	32	115	125	32	12	2	1 1/4	166.5	200	3.63	7.20	1000	72