



FLOW CONTROL VALVES

DIMENSIONS

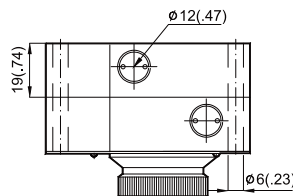
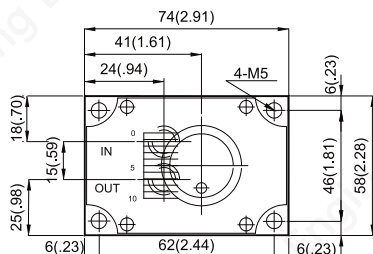
MILLIMETERS(INCHES)

FKC-G*-02B

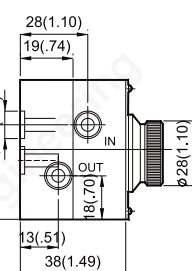
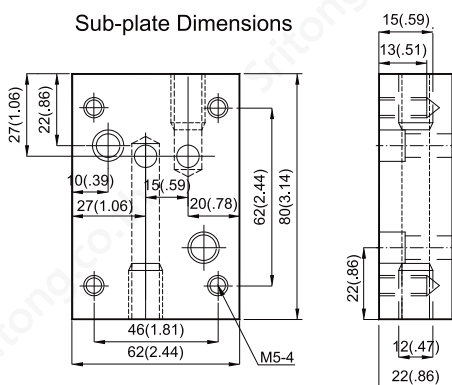
Flow Control with Check Valves (Single Stage)
Pressure Compensated (Sub-plate Type)



SYMBOL



Sub-plate Dimensions



■ Valve Specifications & Attachment

Model	FKC-G*-02B
Free Flow	20 lpm (5.2 gpm)
Max. Pressure	70 bar (1000 psi)
Weight kg.(lbs.)	2.30 (5.06)
CODE:20	M5 X45LgX4pcs
Surface O-Ring	P10X2pcs

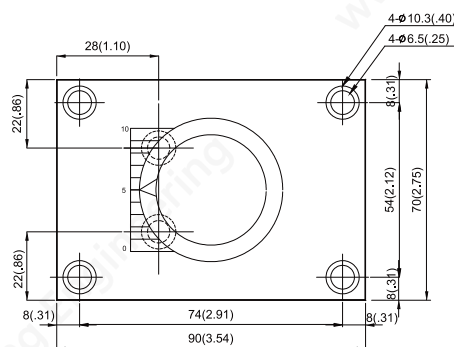
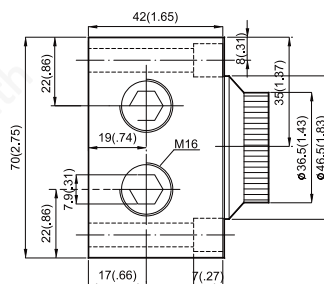
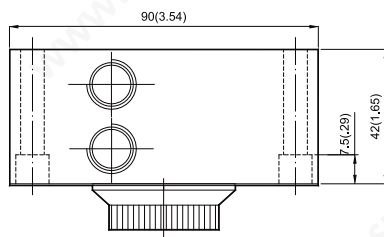
Model	Within Flow Rate Adjusting (lpm)	Connection Bore
FKC-G1-02B	0.1 - 1	PT 1/4
FKC-G2-02B	0.1 - 2	
FKC-G4-02B	0.1 - 4	

FKC-G*-03BR

Flow Control with Check Valves
Pressure Compensated (Sub-plate Type)



SYMBOL



■ Valve Specifications & Attachment

Model	FKC-G*-03BR
Free Flow	30 lpm (7.9 gpm)
Max. Pressure	70 bar (1000 psi)
Weight kg.(lbs.)	1.90 (4.18)
CODE:20	M6 X45LgX4pcs
Surface O-Ring	P12X2pcs



Model	Within Flow Rate Adjusting (lpm)	Connection Bore
FKC-G2-03BR	0.1 - 2	PT 3/8
FKC-G4-03BR	0.1 - 4	
FKC-G6-03BR	0.1 - 6	