

22 1 A型單向運轉泵浦 One Way Rotation Pump. TYPE : ROP-10A, 11A, 12A, 13A

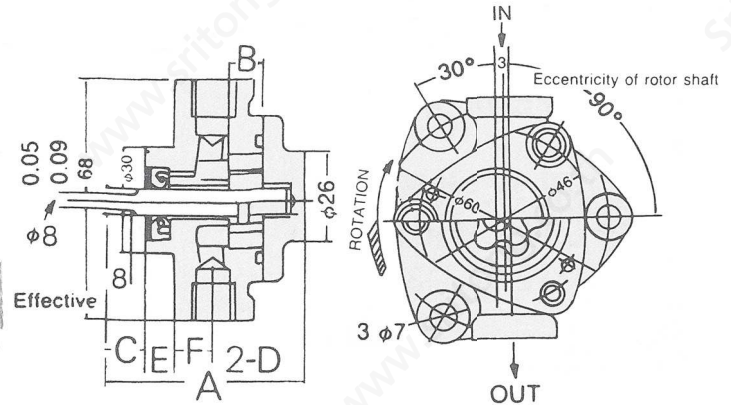
規格說明 Specifications

IA型內齒輪型幫浦不但對各種工作機械產業等機械適用，同時對以百個，千個為單位的各種汽車，農業機械引擎用也很適合，並且應顧客要求亦可製作連座的特殊幫浦。

The model IA oil pumps are the most suitable not only for various machine tools and industry machines, but also for various automotive and agricultural machinery engines which are needed by the unit of hundreds or thousands. The special type of the pump for fixture is also supplied by your requirement.

保險閥裝在幫浦的上部，如有需要，訂貨時請指明要附保險閥。在幫浦附號末尾加上符號VB。標準壓力設定值為3kg/cm²

Relief valve is assembled on the top part of the pump. If you need the valve, please mark your order by indicating

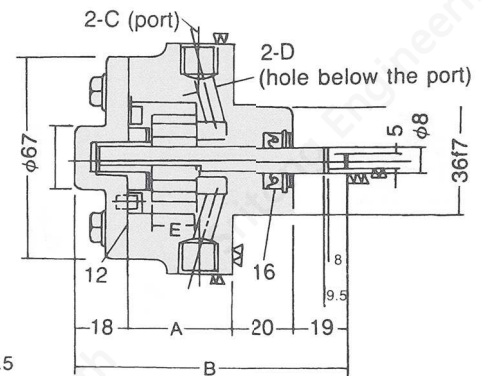
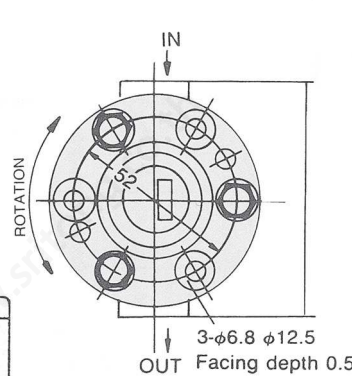
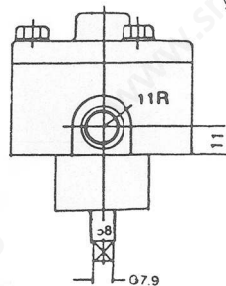
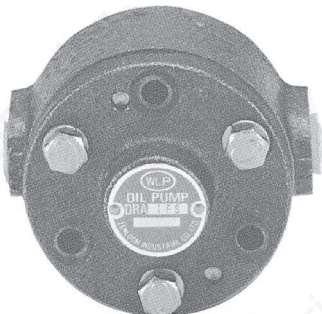


Type	A	B	C	E	F	D PT
ROP-10A	57	5	11.5	8	11	1/8
ROP-11A	57	5	11.5	8	11	1/8
ROP-12A	64	15	11.5	8	11	1/4
ROP-13A	79	27	14.5	5	14	3/8

with relief valve. it is marked at the end of pump marking by symbol VB. The standard pressure setting is 3kg/cm²

型式Model	吐出量 1,000rpm l/min.	壓力 kg/cm ² max Pressure	最大轉速 max rpm	口徑 P.T. (G.P.S.)
ROP-10A	0.8	5	3,000	1/8"
ROP-11A	1.5	5	3,000	1/8"
ROP-12A	2.5	5	2,000	1/4"
ROP-13A	4.5	5	2,000	3/8"

23 DRA型雙向運轉泵浦 Double Way Rotation Pump. TYPE : DRA-1FS, 2FS, 3FS



Type	A	B	C	D	E
DRA-1FS	27	84	PT1/4	6	7
DRA-2FS	31	88	PT1/4	6	11
DRA-3FS	35	92	PT1/4	7	15

Model	1,500rpm l/min	Theoretical flow rate At 1,500rpm l/min	1,800 rpm l/min	Max Pressure kg/cm ²	Max Speed rpm	P.T. (G.P.S.)
DRA-1FS	1.74	1.74	2.08	5	2000	1/4"PT
DRA-2FS	2.70	2.70	3.24	5	2000	1/4"PT
DRA-3FS	3.75	3.75	4.50	5	2000	1/4"PT