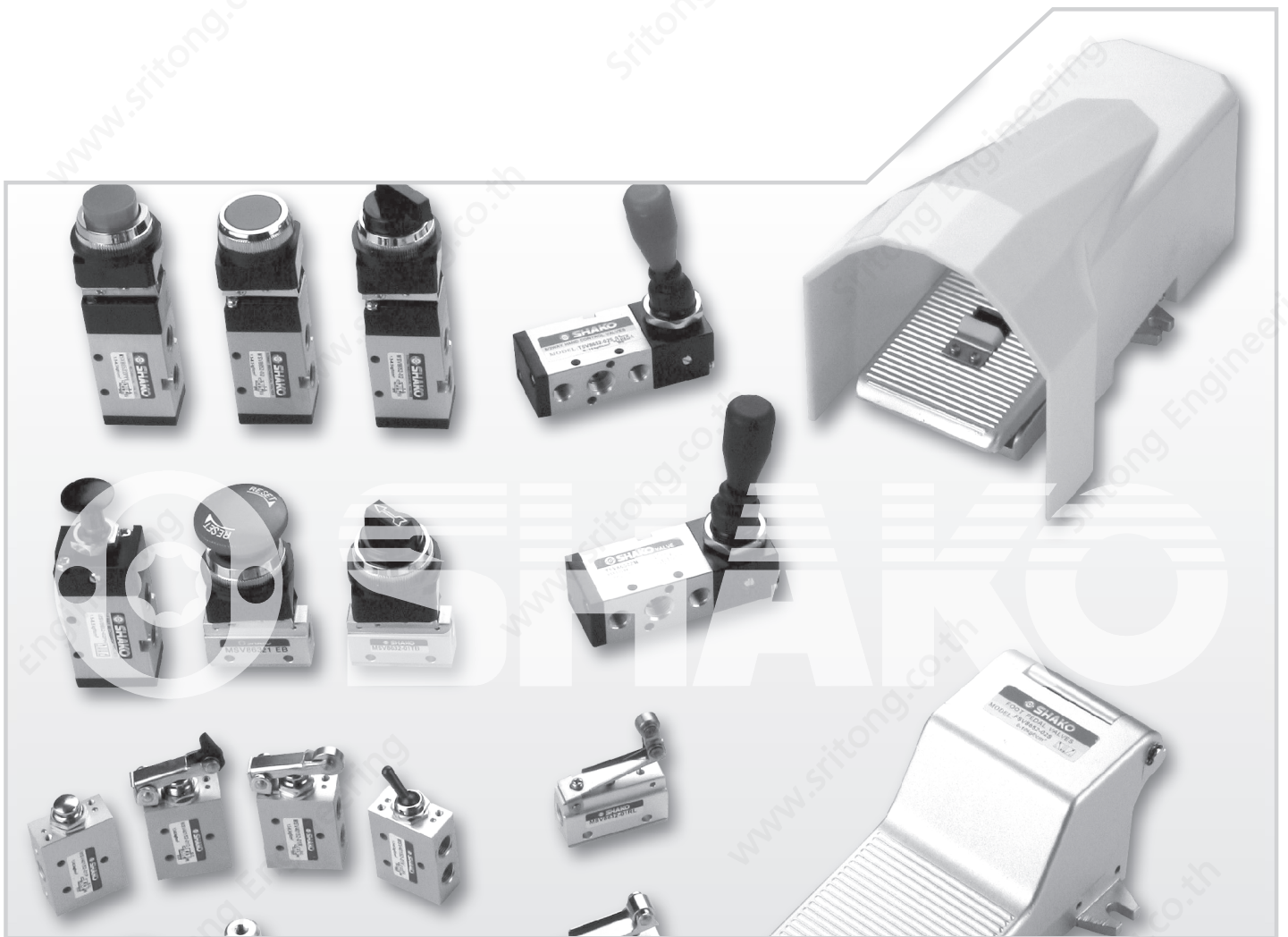


MECHANICAL VALVES



Features

- * To be installed in moving devices like air cylinder, slide...etc.
- * Various operating styles.
- * Panel bore size $\phi 30$ (Option $\phi 25$).



How to order

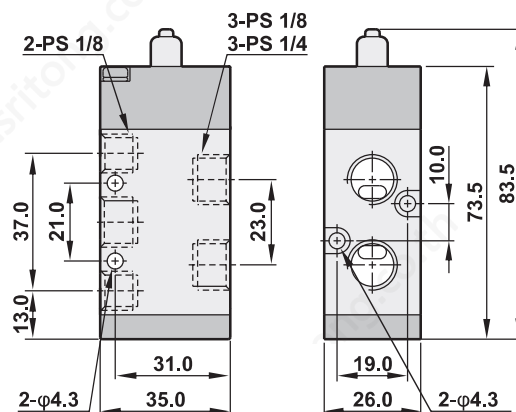
MSV8652		02	N	R	G
Mechanical valves		Port size	Thread	Operator	Operator color
52	5/2 Way	01 1/8" 02 1/4"	Blank PS N NPT	R Roller TB Twist selector LB Long twist selector PB Palm button (Mushroom) PP Palm button (Flush) PPL Palm button (Extended) EB Stop cock button PH Push-pull button	Blank Standard color G Green B Black Y Yellow

Specifications

Model	MSV8652-01	MSV8652-02
Port size	1/8"	1/4"
Body material	Aluminum alloy	
Panel dimension	30mm (Option:25mm)	
Fluid	Compressed air	
Sectional area	14mm ²	18mm ²
Operating pressure range	0 ~ 9 kgf/cm ²	
Max. operating pressure	10 kgf/cm ²	
Ambient temperature	-10°C ~ 60°C	
Standard operator color	Black: TB, LB; Red: PB, PP, PPL, EB	
Optional color	Green, Black, Yellow for PB, PP, PPL	

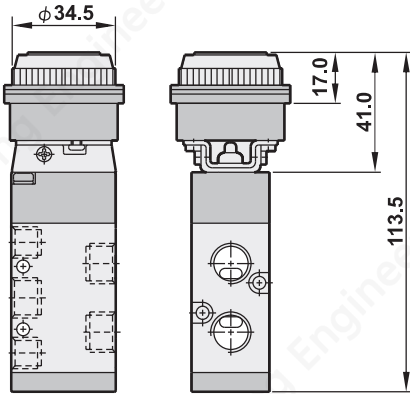
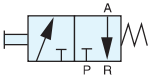
Dimensions

MSV8652-01, 02

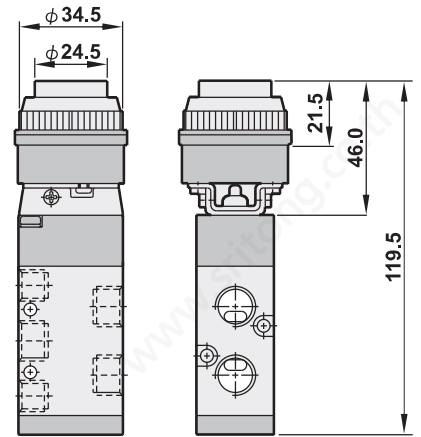


Dimensions

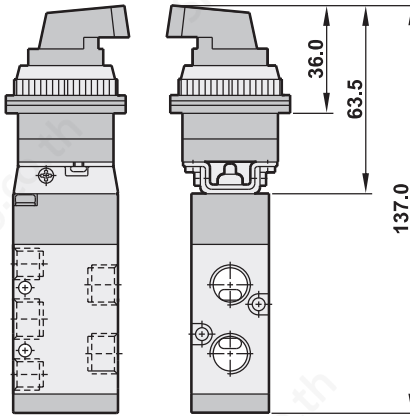
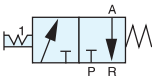
PP



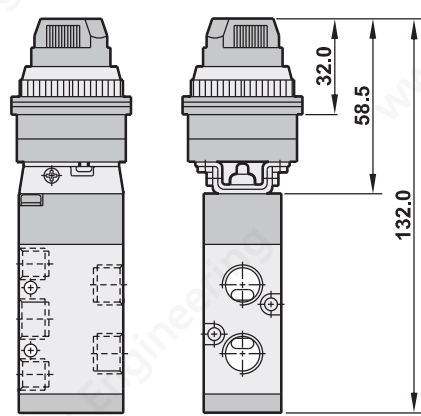
PPL



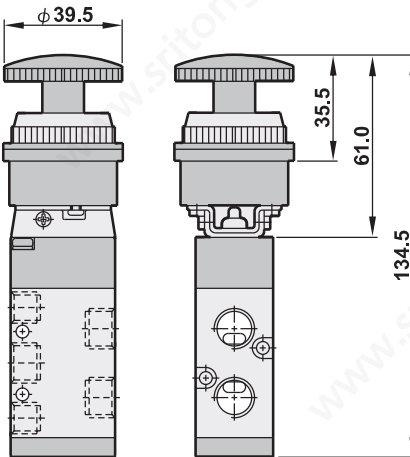
LB



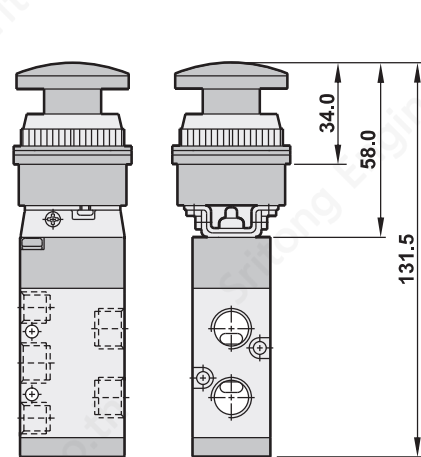
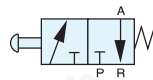
TB



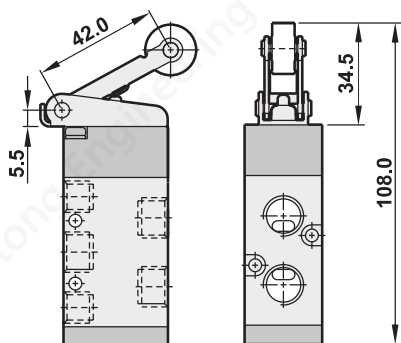
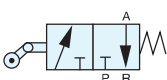
EB



PB



R



PH

