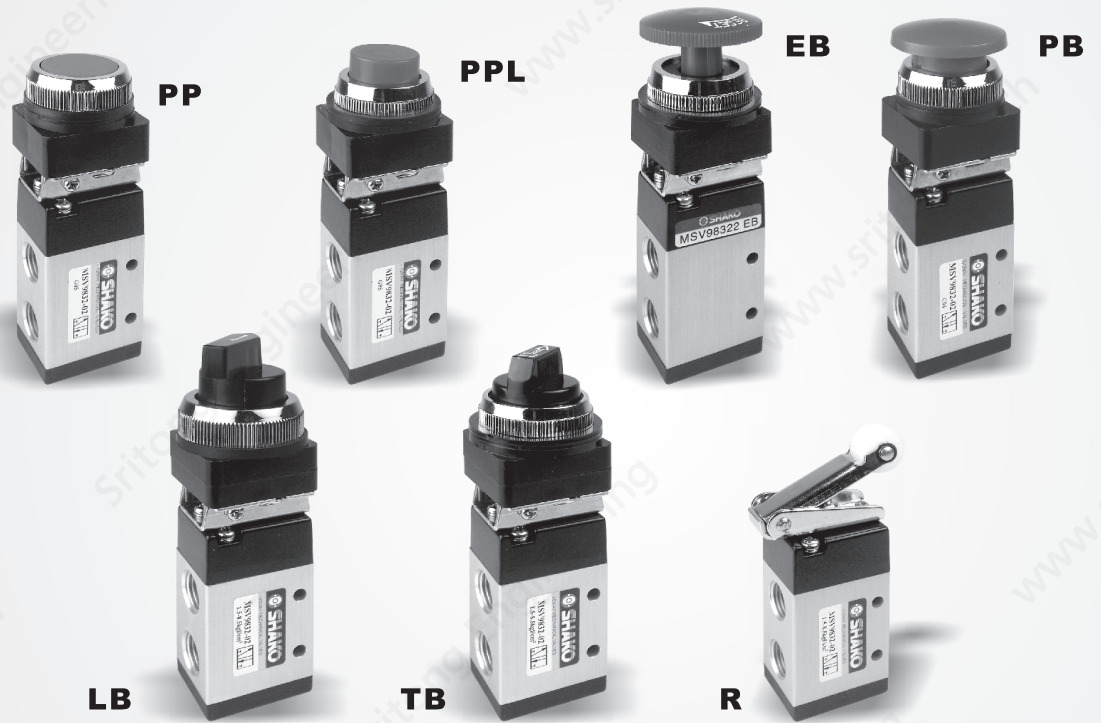


## Features

- \* To be installed in moving devices like air cylinder, slide...etc.
- \* Various operating styles.
- \* Panel bore size  $\phi 30$  (Option  $\phi 25$ ).



MECHANICAL VALVES

## How to order

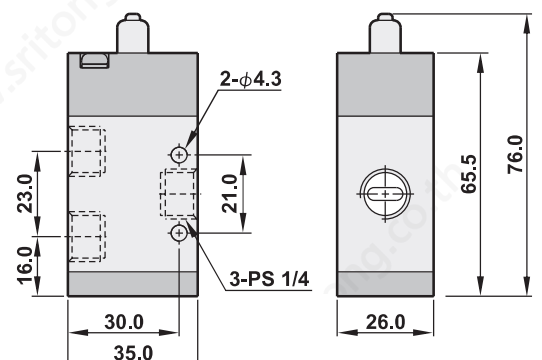
<b>MSV9832</b>		<b>02</b>	<b>N</b>	<b>R</b>	<b>G</b>
<b>Mechanical valves</b>		<b>Port size</b>	<b>Thread</b>	<b>Operator</b>	<b>Operator color</b>
<b>32</b>	<b>3/2 Way</b>	<b>02</b> 1/4" Option 1/8"	<b>Blank</b> PS <b>N</b> NPT	<b>R</b> Roller <b>TB</b> Twist selector <b>LB</b> Long twist selector <b>PB</b> Palm button (Mushroom) <b>PP</b> Palm button (Flush) <b>PPL</b> Palm button (Extended) <b>EB</b> Stop cock button	<b>Blank</b> Standard color <b>G</b> Green <b>B</b> Black <b>Y</b> Yellow

## Specifications

<b>Model</b>	<b>MSV9832-02</b>
Port size	1/4" (Option 1/8")
Body material	Aluminum alloy
Panel dimension	30mm (Option:25mm)
Fluid	Compressed air
Sectional area	18mm <sup>2</sup>
Operating pressure range	0 ~ 9 kgf/cm <sup>2</sup>
Max. operating pressure	10 kgf/cm <sup>2</sup>
Ambient temperature	-10°C ~ 60°C
Standard operator color	Black: TB, LB; Red: PB, PP, PPL, EB

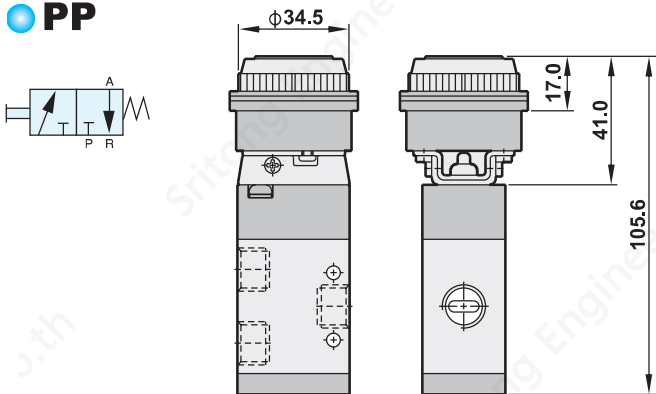
## Dimensions

### MSV9832-02

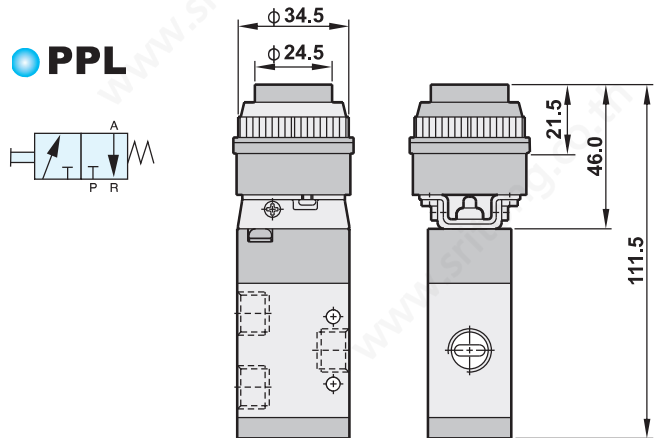


Dimensions

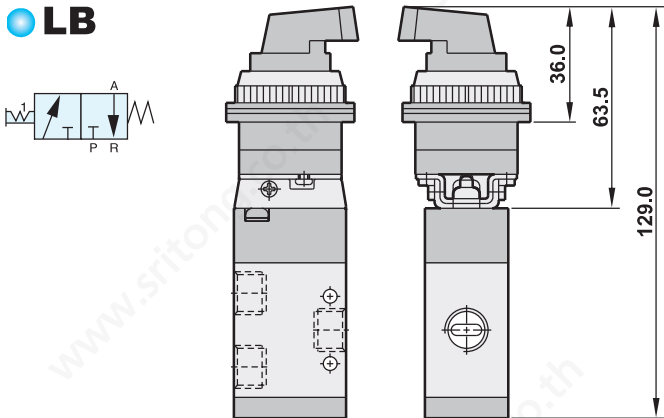
PP



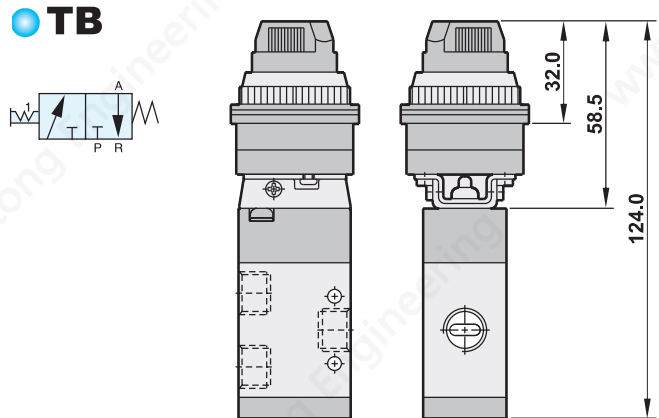
PPL



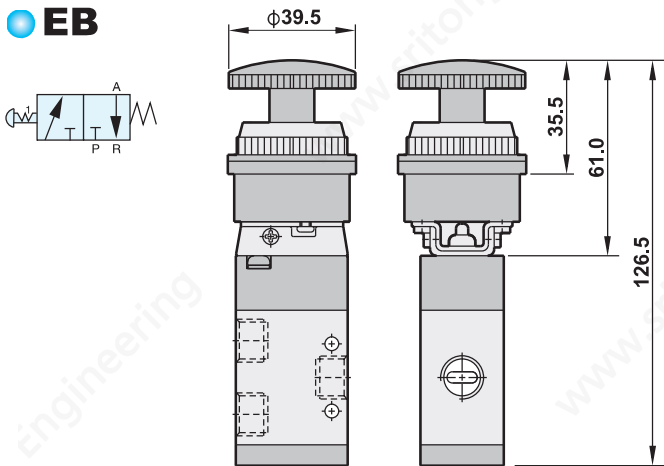
LB



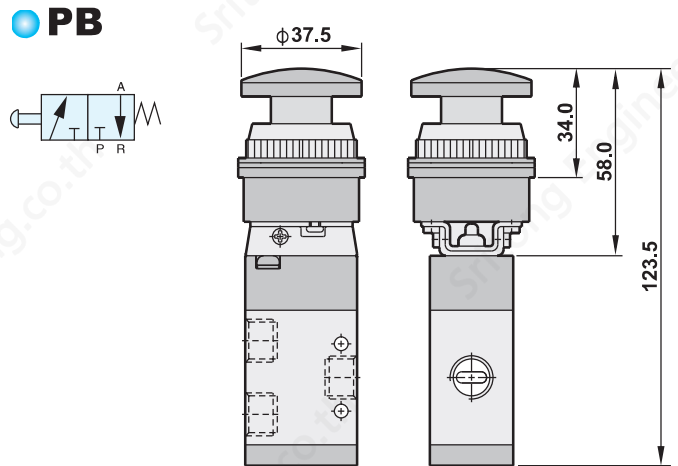
TB



EB



PB



R

