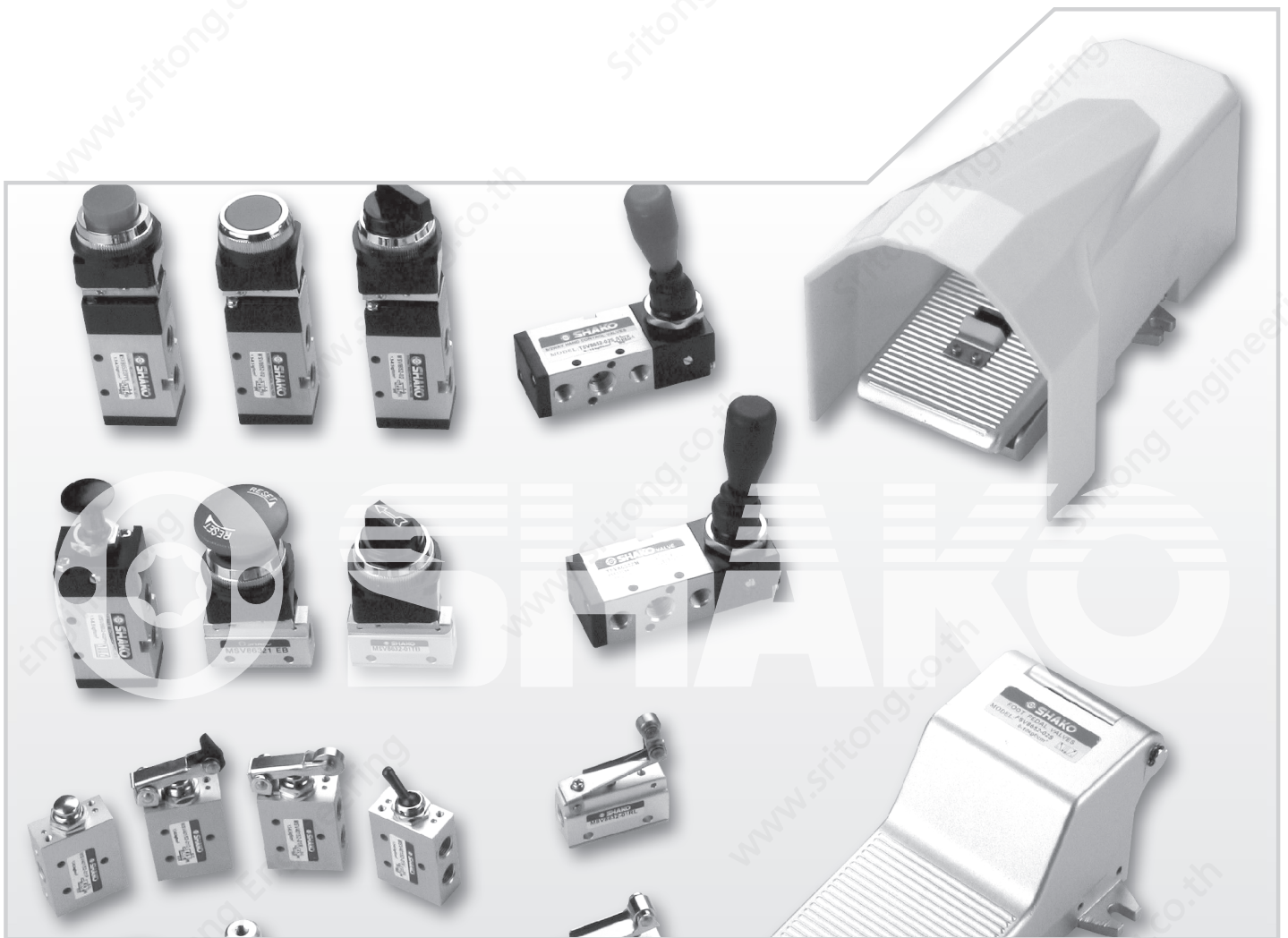
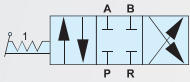


# MECHANICAL VALVES

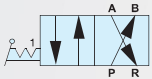


## Symbol

**TSV30043**



**TSV30042**



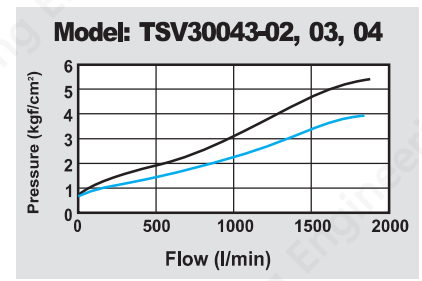
## Features

- \* Simply operating.
- \* Large flow rate.
- \* High safety.
- \* Light weight.
- \* 4 kinds of installation.
- \* Cock design for safety operation.

## How to order

<b>TSV30043</b>		<b>02</b>	<b>N</b>	<b>B</b>
Rotary valves		Port size	Thread	Valve type
<b>TSV30043</b>	4/3 way	<b>02</b> 1/4"	<b>Blank</b> PS	<b>Blank</b> Standard
<b>TSV30042</b>	4/2 way	<b>03</b> 3/8"	<b>N</b> NPT	<b>B</b> Ports on bottom
		<b>04</b> 1/2"		<b>C</b> With cock device
				<b>P</b> With panel mounting

## Flow chart

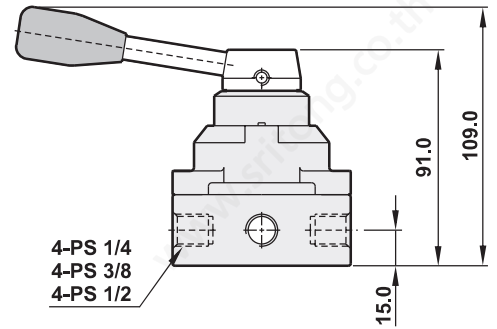
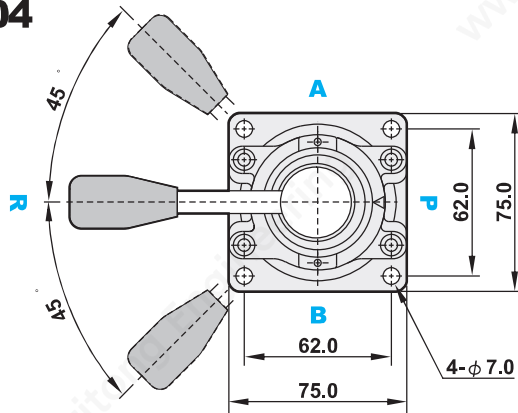


## Specifications

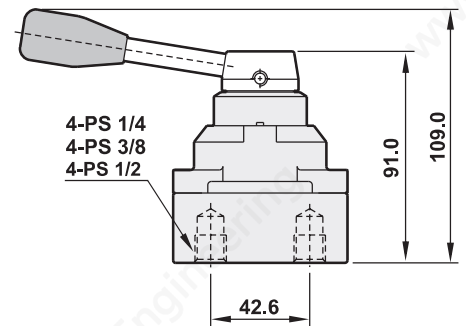
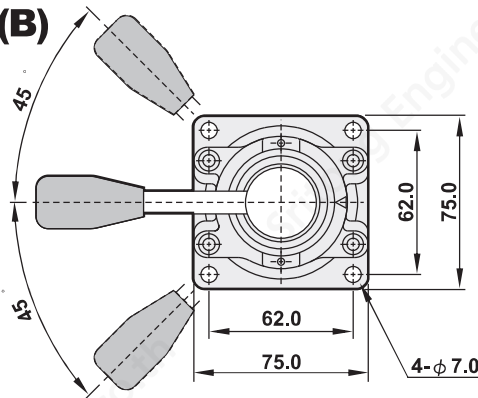
Model	TSV30043(2)-02	TSV30043(2)-03	TSV30043(2)-04
Port size	1/4"	3/8"	1/2"
Body material	Aluminum alloy		
Panel dimension	M40 x P1.5 (For panel mounting only)		
Fluid	Compressed air		
Sectional area	18mm <sup>2</sup>		
Operating pressure range	0 ~ 9 kgf/cm <sup>2</sup>		
Max. operating pressure	10kgf/cm <sup>2</sup>		
Ambient temperature	-10°C ~ 60°C		
Net weight	600g	580g	560g

## Dimensions

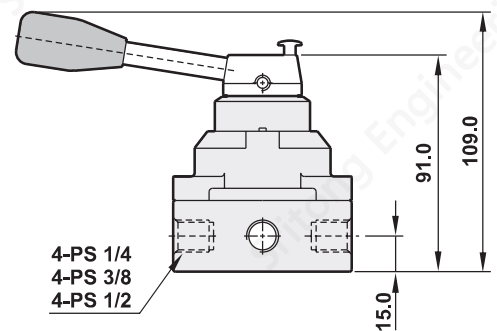
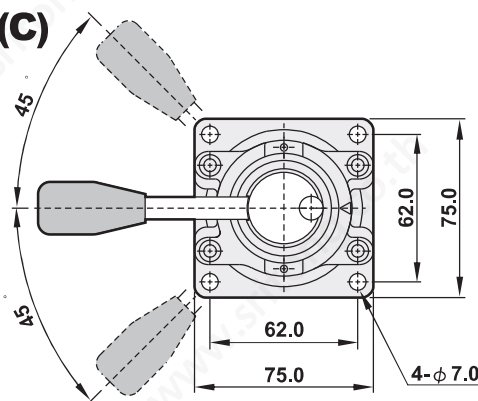
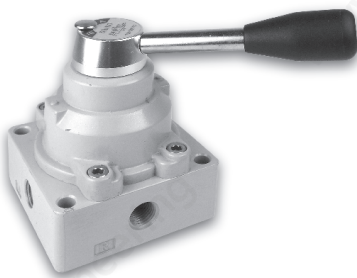
### TSV30043-02,03,04



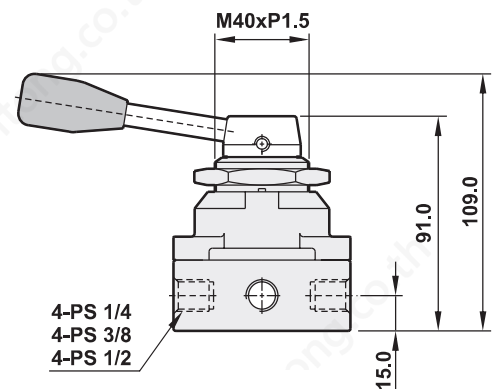
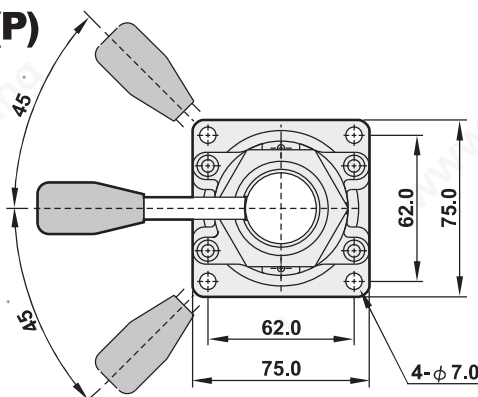
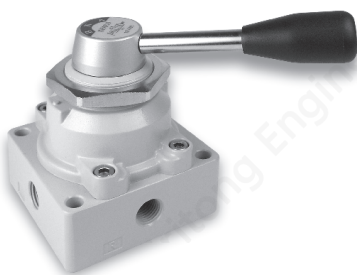
### TSV30043-02,03,04(B)



### TSV30043-02,03,04(C)



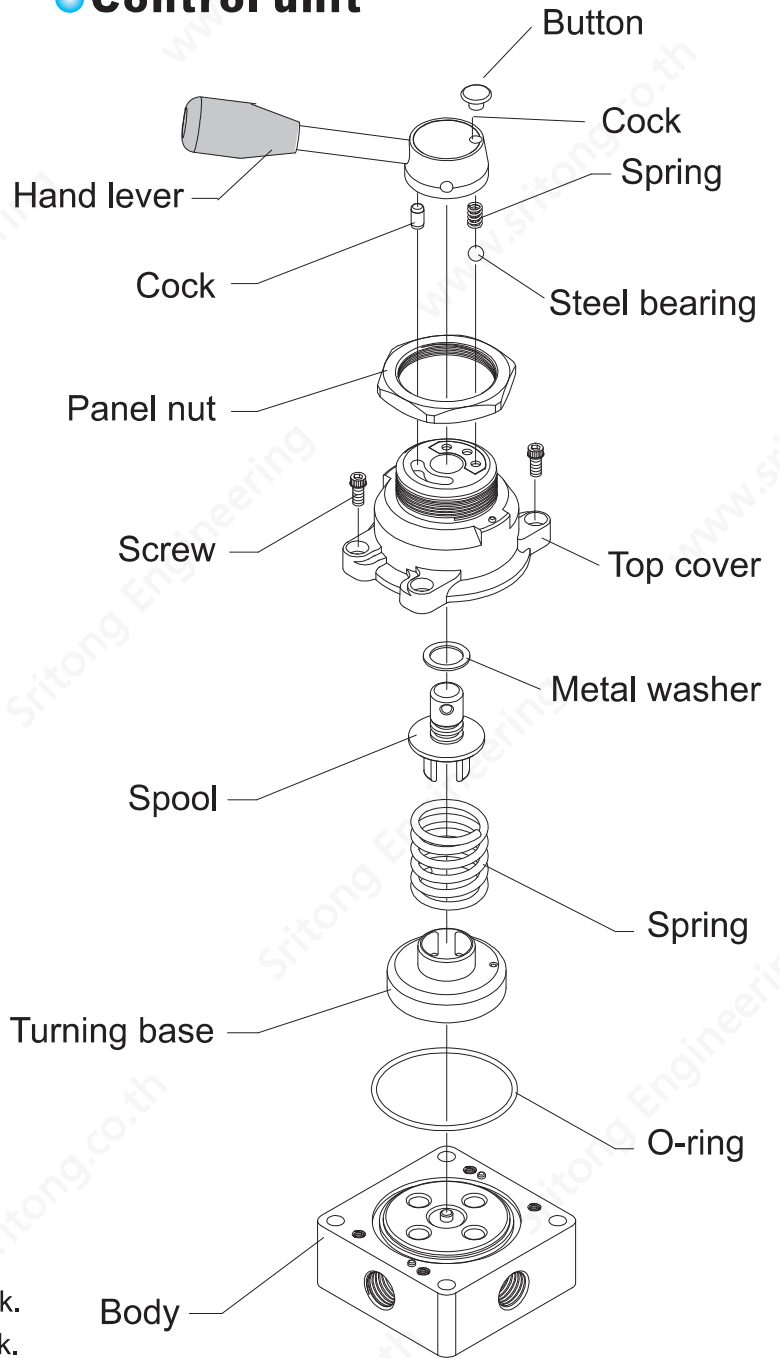
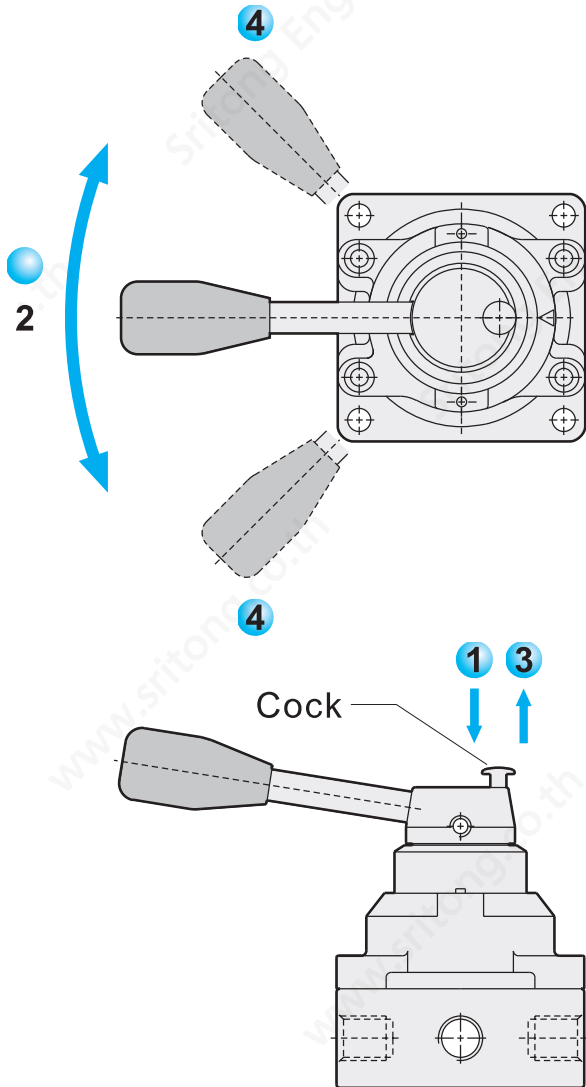
### TSV30043-02,03,04(P)



**Explosion**

**Operating steps TSV30043 C**

**Control unit**



**Operating steps**

1. Push the cock down.
2. Turn lever to the left or right.
3. Lift your hand to release cock, the cock bound back.
4. Please do not turn lever when the cock bound back.

